

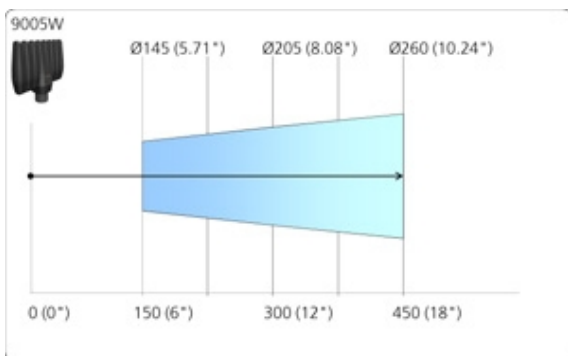
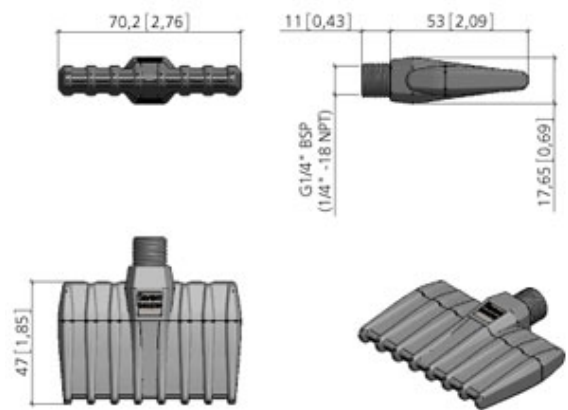


Product test possible!

Replaces open tube **10 mm**

Noise reduction **82 %**

Air-/ cost savings **59 %**



Silvent 9005W

Flatt nozzle

SILVENT 9005W is an energy-efficient flat nozzle that generates a strong, efficient blowing force at an exceptionally low noise level. Compressed air is optimally used in this flat nozzle, which through its unique design introduces a completely new blowing technology feature. The aerodynamic nozzle design achieves the effect by maximizing entrainment of air. Each orifice is also uniquely designed to optimize the entrainment area. The air nozzle - SILVENT 9005W - is made exclusively of Zytel, a high-performance material without which the unique and truly complex Laval orifices would not be possible. These small orifices combined with the aerodynamic slots of the nozzle provide high efficiency. The nozzle is ideal for blowing applications that require extra blowing force and an extra wide air cone. Fully complies with EU Machine Directive noise limitations and OSHA safety regulations. Patented.

Technical data

Item number	719715
Weight	0,035 kg
Air consumption	76 Nm ³ /h
Air connection	1/4 "
Sound	87 dB(A)
Blowing Power	15 N
Dimensions LxWxH	70.2 x 17.6 x 64 mm
Max. Operating pressure	1.0 MPa
Max temperature	180 °C
Material	Zytel
Air pattern	Flat