

## VA Flat Nozzle SV 9003W-S

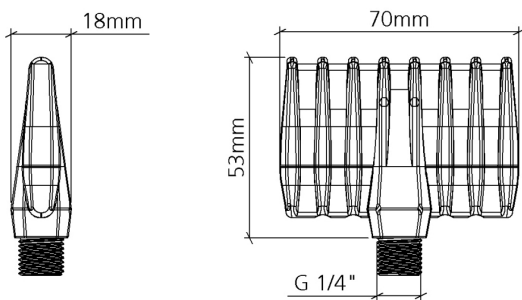
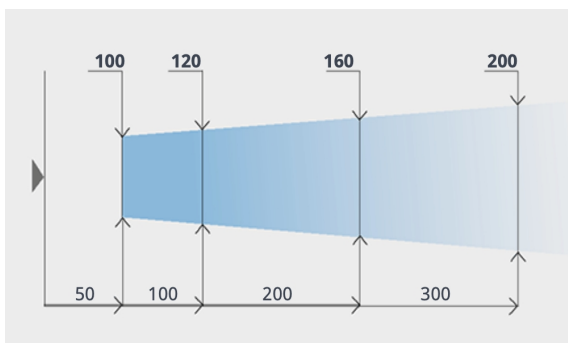
10,3N - B=70mm - AG 1/4" BSP BSP

SV 9003W-S: an energy-efficient flat stainless steel nozzle that generates a strong, efficient blowing force at an exceptionally low noise level. Compressed air is optimally used in this flat nozzle, which through its unique design introduces a completely new blowing technology feature. The aerodynamic nozzle design achieves the effect by maximising entrainment of air. Each orifice is also uniquely designed to optimise the entrainment area. These small orifices combined with the aerodynamic slots of the nozzle provide high efficiency.

Replaces open tube **7 mm**

Noise reduction **23 dB(A)**

Air-/ cost savings **39 Nm<sup>3</sup>/h**



### Technical data

Item number	719785
Weight	105 g
Air consumption	53 Nm <sup>3</sup> /h
Sound	82 dB(A)
Blowing Power	10,3 N
Dimensions LxWxH	70 mm
Material	1.4404 Stainless Steel
Air pattern	Flat
Connection	1/4 BSP